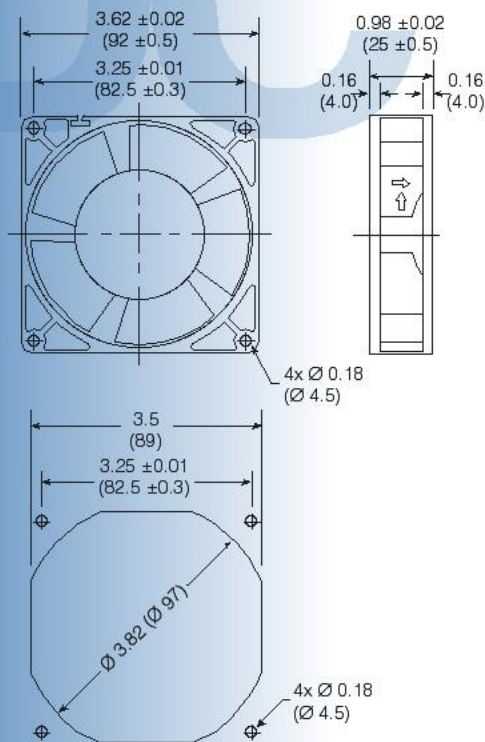
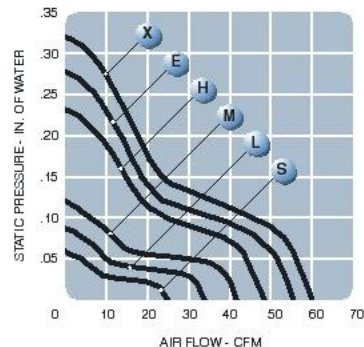


A9225 Series



**Size: (92 x 92 x 25 mm)
3.62 x 3.62 x 0.98 inches**

- 12 and 24 VDC models utilize G9225 Series motor with low-cost impedance protection design
- 48 VDC models utilize E9225 Series motor with 48 VDC rated electronic components
- 48 VDC models designed for high voltage, high electrical noise environment
- Reinforced flanged frame; ball or sleeve bearings
- Optional tachometer output



Model No.	Rated Voltage (V)	Current (mA)			Revolution (RPM)	Air Volume (CFM)	Maximum Static Pressure (in H ₂ O)	Sound Noise (dBA)	Weight (oz)
		12	24	48					
A9225 S	12/24	85	60	-	1,600	25	0.06	23	3.47
A9225 L	12/24	130	80	-	2,000	34	0.09	27	3.47
A9225 M	12/24	180	110	-	2,400	42	0.12	32	3.47
A9225 H	48	-	-	100	3,200	51	0.23	36	3.47
A9225 E	48	-	-	130	3,600	56	0.28	39	3.47
A9225 X	48	-	-	160	4,000	60	0.32	43	3.47